

INSTALLATION INSTRUCTIONS FOR REPLACING THE FLUE DAMPER ASSEMBLY

Kit Contents: 1 Flue damper assembly. 3 screws

IMPORTANT: For correct water heater operation, it is essential that the Flue Damper Assembly be properly installed. If you lack the necessary skills to properly perform the installation, you should not proceed, but get help from a qualified technician.

Tools needed: 1/4" Hex driver

Removing the Old Flue Damper Assembly

1. Turn off the gas supply to the water heater at the manual gas shut-off valve. This valve is typically located beside the water heater. Note the position of the shut-off valve in the open/on position then proceed to turn it off (Figure 1).
2. On the lower front of the water heater, locate the gas control valve/thermostat (Figure 2).
3. Before performing any maintenance, it is important to move the ON/OFF switch on the gas control valve to the "OFF" position to turn off the water heater (Figure 3).
4. Unplug the transformer from the wall outlet (Figure 4).
5. **IMPORTANT:** Do not touch vent pipe, draft hood or flue damper while hot.
Remove the sheet metal screws fastening the vent pipe system to the draft hood then disconnect the vent pipe from the draft hood (Figure 6).
6. Remove the draft hood from the flue damper by twisting the draft hood leg tips (Figure 5).
7. Disconnect wire connectors from flue damper (Figure 6).
8. Remove the 3 screws securing the flue damper to top of the water heater, then remove the flue damper from the water heater.
NOTE: If heater is equipped with a T&P valve installed on the top of the unit, it will be necessary to lift the flange to access one of the screws (Figure 7).

Installing the New Flue Damper Assembly

1. Position the new flue damper assembly so that the electronic connections are toward the front of the water heater.
2. Attach the flue damper to the water heater using the three screws provided in the flue damper kit and the existing holes in the top of the water heater. **Note:** if heater is equipped with a T&P valve installed on the top of the unit, it will be necessary to lift the flange to access the existing screw hole (Figure 7).
3. Reconnect the wire connectors on the side of the flue damper (Figure 6).
4. Reconnect the draft hood by aligning the legs with the slots provided. Insert the draft hood leg tips into the slots on the flue damper's flange (Figure 5). Secure the draft hood by twisting or bending the leg tips with a pair of pliers. Do not alter the draft hood in any way.
5. Replace the vent pipe onto the draft hood and secure with sheet metal screws (Figure 6).
6. Plug the transformer into a wall outlet (Figure 4).
7. Follow the "Lighting Instructions" on the front of the water heater.

⚠ WARNING



Electric Shock Hazard
Disconnect power before servicing.
Replace all parts and panels before operating.
Failure to do so can result in death or electrical shock.

⚠ WARNING



Electric Shock Hazard
Plug into a grounded 3 prong outlet.
Do not remove ground prong.
Do not use an adapter.
Do not use an extension cord.
Failure to follow these instructions can result in death, fire, or electrical shock.

⚠ WARNING



Burn Hazard
Do not touch vent.
Doing so can result in burns.

FIGURE 1

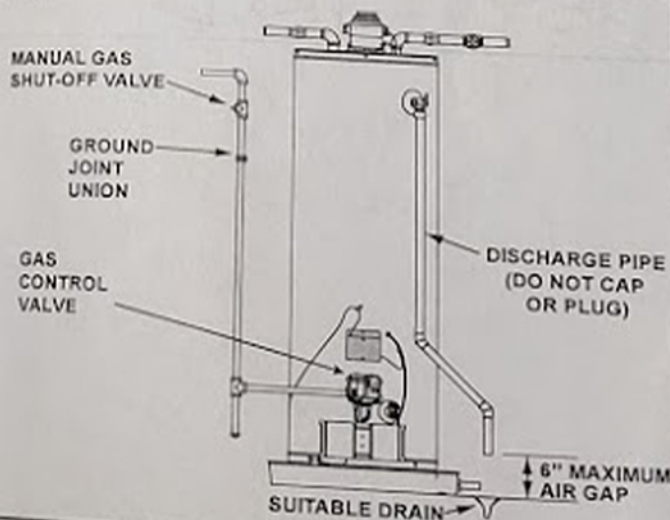


Figure 2

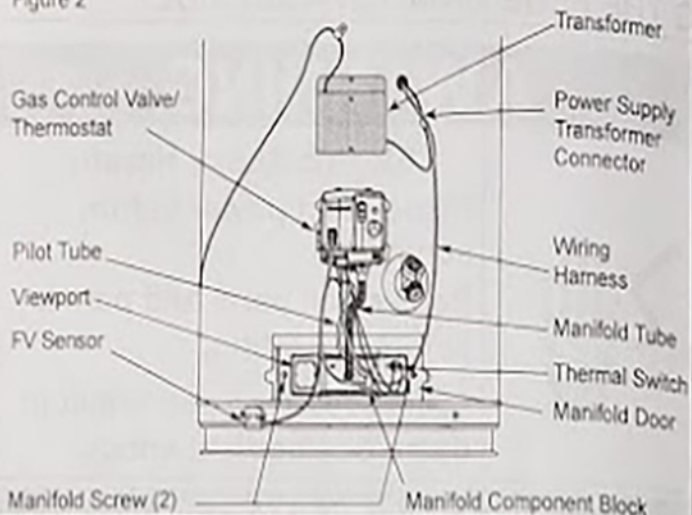


Figure 5

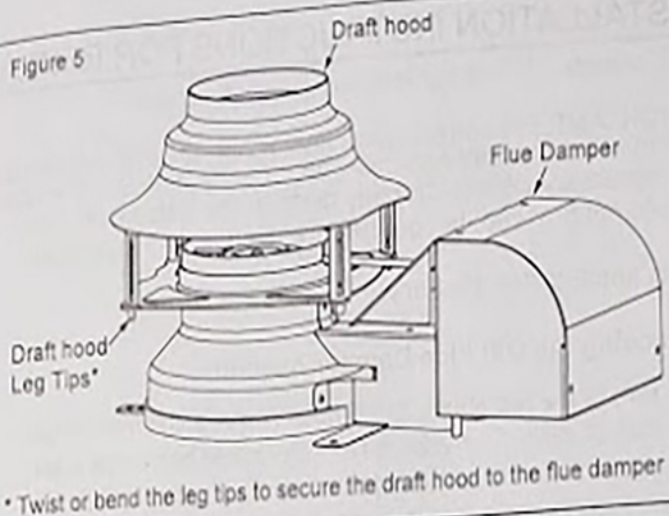


Figure 3

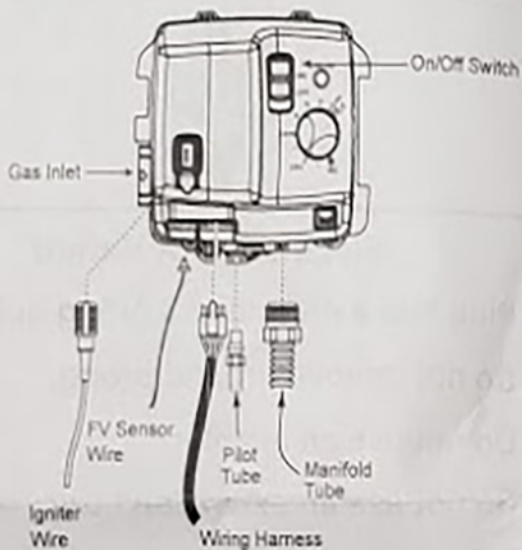


Figure 6

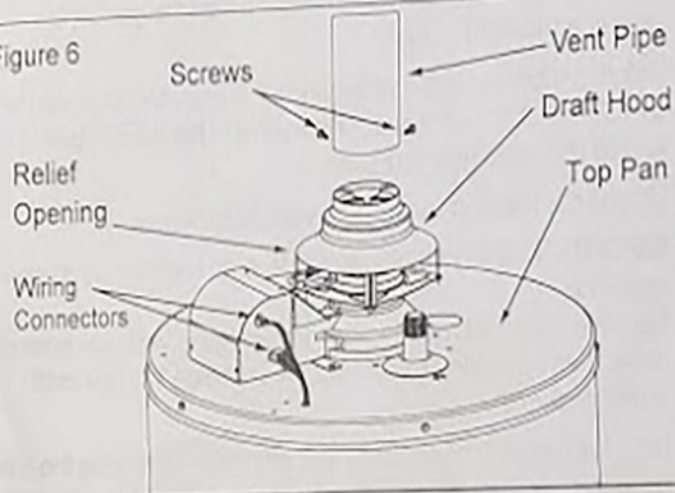


Figure 4

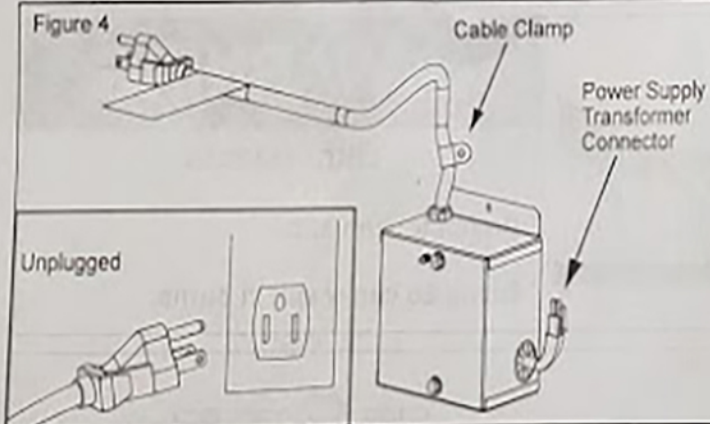


Figure 7

